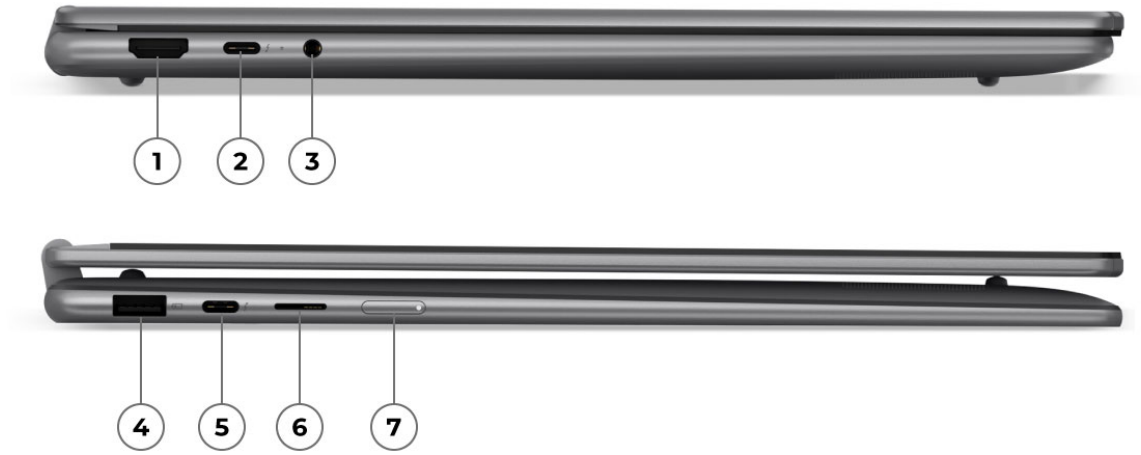


## OVERVIEW



1. HDMI	5. Thunderbolt 4
2. Thunderbolt 4	6. microSD card reader
3. Headphone / microphone combo jack (3.5mm)	7. Power button
4. USB-A (USB 5Gbps), Always On	

## PERFORMANCE

### Processor

#### Processor Family

Intel® V Series Core Ultra 5 / 7 Processor (Series 2) - Lunar Lake

#### Processor\*\*

Processor Name	Cores	Threads	Base Frequency	Max Frequency	Cache	Processor Graphics	NPU	Overall TOPS
Core Ultra 5 226V	8 (4 P-core + 4 LP E-core)	8	P-core 2.1GHz / LP E-core 2.1GHz	P-core 4.5GHz / LP E-core 3.5GHz	8MB Intel® Smart Cache	Intel® Arc™ Graphics 130V, up to 53 TOPS	Intel® AI Boost, up to 40 TOPS	Up to 97 TOPS
Core Ultra 7 256V	8 (4 P-core + 4 LP E-core)	8	P-core 2.2GHz / LP E-core 2.2GHz	P-core 4.8GHz / LP E-core 3.7GHz	12MB Intel® Smart Cache	Intel® Arc™ Graphics 140V, up to 64 TOPS	Intel® AI Boost, up to 47 TOPS	Up to 115 TOPS
Core Ultra 7 258V	8 (4 P-core + 4 LP E-core)	8	P-core 2.2GHz / LP E-core 2.2GHz	P-core 4.8GHz / LP E-core 3.7GHz	12MB Intel® Smart Cache	Intel® Arc™ Graphics 140V, up to 64 TOPS	Intel® AI Boost, up to 47 TOPS	Up to 115 TOPS

### AI (Artificial Intelligence)

#### AI PC Category

Copilot+ PC<sup>[1]</sup>

#### NPU

Integrated Intel® AI Boost, up to 47 TOPS

Notes:

[1] Copilot+ PCs have at least 16GB RAM, 256GB storage, and a NPU that runs 40+ TOPs to run the latest AI tools build-in latest Windows® 11 to accelerate productivity and creativity.

### Operating System

#### Operating System\*\*

- Windows® 11 Pro
- Windows® 11 Home
- Windows® 11 Home Single Language
- No preload operating system

### Graphics

#### Graphics\*\*

Graphics	Type	Memory	Key Features
Intel® Arc™ Graphics 130V	Integrated	Shared	DirectX® 12.2
Intel® Arc™ Graphics 140V	Integrated	Shared	DirectX® 12.2

### Monitor Support

#### Monitor Support<sup>[1]</sup>

Supports up to 4 independent displays (native display and 3 external monitors via HDMI® and Thunderbolt™)

- HDMI® supports up to 4K@30Hz
- Thunderbolt™ supports up to 8K@60Hz

Notes:

[1] 8K resolution support needs 2 display pipes. That is, simultaneous display number will “-1” when 8K resolution displayed.

### Chipset

#### Chipset

Intel® SoC (System on Chip) platform

## Memory

### Max Memory

- 16GB soldered memory, not upgradable
- 32GB soldered memory, not upgradable

### Memory Slots

Memory soldered to systemboard, no slots, dual-channel

### Memory Type

LPDDR5X-8533, MoP (Memory on Package) memory

## Storage

### Max Storage Support<sup>[1]</sup>

One drive, up to 1TB M.2 2242 SSD

### Storage Slot<sup>[2]</sup>

One M.2 2242 PCIe® 4.0 x4 slot

### Storage Type

Disk Type	Interface	Offering
M.2 2242 SSD	PCIe® NVMe®, PCIe® 4.0 x4	512GB / 1TB

Notes:

[1] The storage capacity supported is based on the test results with current Lenovo® storage offerings.

[2] The actual data transfer rate of the following PCIe® interface also depends on the capabilities of the connected PCIe® device. The listed values represent theoretical maximums.

PCIe® 3.0 (x2 / x4): 2 GB/s (16 Gbps) / 4 GB/s (32 Gbps);

PCIe® 4.0 (x2 / x4): 4 GB/s (32 Gbps) / 8 GB/s (64 Gbps);

PCIe® 5.0 (x2 / x4): 8 GB/s (64 Gbps) / 16 GB/s (128 Gbps).

## Removable Storage

### Card Reader

microSD card reader

## Multi-Media

### Audio Chip

High Definition (HD) Audio, Realtek® ALC3306 codec

### Speakers

4 stereo speakers, 2W x2 (woofers), 2W x2 (tweeters), optimized with Dolby Atmos®, Smart Amplifier (AMP)

### Microphone

Quad-microphone array, 3D array

### Camera\*\*

- 5.0MP + IR, with privacy shutter, fixed focus
- FHD 1080p + IR, with privacy shutter, fixed focus

## Sensor

### Sensors

- (Optional) Ambient light sensor (ALS)
- Accelerometer (G) sensor
- Hall sensor

## Battery

### Battery<sup>[1]</sup>

70Wh Rechargeable Li-ion Battery, supports Rapid Charge Express (get 3 hours of runtime with a 15-minute charge)

### Max Battery Life<sup>[2]</sup>

- WUXGA IPS models:  
MobileMark® 30@25Onits: 12.5 hr

- Local video (1080p) playback@150nits: 26.5 hr
- 2.8K OLED models:
  - MobileMark® 30@250nits: 12 hr
  - Local video (1080p) playback@150nits: 19.5 hr

Notes:

- [1] Rapid Charge Express is only effective in hibernates or fully shutting down the computer.
- [2] All battery life claims are approximate maximum and based on results using the MobileMark® 2014, MobileMark® 2018, MobileMark® 25, MobileMark® 30, JEITA 2.0, JEITA 3.0, continuous 1080p video playback (with 150nits brightness and default volume level) or Google Power Load Test (PLT) battery-life benchmark tests. Actual battery life will vary depending on many factors such as product configuration and usage, software use, wireless functionality, power management settings, and screen brightness. The maximum capacity of the battery will decrease with time and use.

## Power Adapter

### Power Adapter<sup>[1]</sup>

- 65W USB-C® (3-pin) AC adapter, supports PD 3.0, 100-240V, 50-60Hz
- No power adapter

Notes:

- [1] AC adapter offerings depend on the country.

## DESIGN

### Display

#### Display\*\*

Size	Resolution	Touch	Type	Brightness	Surface	Aspect Ratio	Contrast Ratio	Color Gamut	Refresh Rate	Viewing Angle (L/R/U/D)	Key Features
16"	WUXGA (1920x1200)	OGM touch	IPS <sup>[1]</sup>	300nits	Glossy, anti-fingerprint	16:10	1,000:1	45% NTSC	60Hz	89° / 89° / 89° / 89°	Dolby Vision®, TÜV Low Blue Light (Software), Glass
16"	2.8K WQXGA+ (2880x1800)	OGM touch	OLED	1,100nits (HDR peak) / 500nits (SDR typical)	Glossy, anti-fingerprint	16:10	1,000,000:1	100% DCI-P3	120Hz (Max)	85° / 85° / 85° / 85°	Dolby Vision®, DisplayHDR™ True Black 1000, TÜV Low Blue Light (Hardware), Glass

#### Touchscreen

OGM (One Glass Metal mesh) multi-touch, supports 10-point touch

#### Screen-to-Body Ratio

90.24% AAR (active area ratio)

#### Color Calibration

No color calibration

Notes:

- [1] IPS (in-plane switching) technology may refer to IPS, PLS, ADS, AHVA, AAS.

### Multi-mode

#### Multi-mode

Laptop, tent, stand, and tablet modes supported by 360° hinge

### Input Device

#### Pen\*\*

- Lenovo® Yoga® Pen (seashell)
- Lenovo® Yoga® Pen (luna grey)
- No pen bundled (purchase separately)

### Keyboard

6-row, multimedia Fn keys, numeric keypad, key travel 1.5mm, Copilot key

### Keyboard Backlight

LED backlight

### Touchpad

Buttonless glass surface multi-touch touchpad, supports Precision TouchPad (PTP), 80 x 135 mm (3.15 x 5.31 inches)

## Mechanical

### Dimensions (WxDxH)<sup>[1]</sup>

361 x 257 x 15.85 mm (14.21 x 10.11 x 0.62 inches)

### Weight<sup>[2]</sup>

Models	Weight
Models with IPS panel	Starting at 1.92 kg (4.23 lbs)
Models with OLED panel	Starting at 1.77 kg (3.90 lbs)

### Case Color

Luna grey

### Case Material

Aluminium (top), aluminium (bottom)

### Surface Treatment

Aluminium stamping (anodized with sandblasting)

Notes:

[1] The system dimensions may vary depending on configurations.

[2] The system weight is approximate and based on results in Lenovo® lab, which varies depending on the source of component, variance of the distribution of each component, and manufacturing process. It may not be the exact weight for each specific model.

## CONNECTIVITY

### Network

#### WLAN + Bluetooth<sup>®</sup><sup>[1]</sup>

Wi-Fi<sup>®</sup> 7, 802.11be 2x2 Wi-Fi<sup>®</sup> + Bluetooth<sup>®</sup> 5.4, M.2 card

#### WWAN

No support

#### Ethernet

No onboard Ethernet

Notes:

[1] Wi-Fi<sup>®</sup> operation (including Wi-Fi<sup>®</sup> 6, Wi-Fi<sup>®</sup> 6E, Wi-Fi<sup>®</sup> 7, etc.) is subject to the regulatory requirements of each country. Bluetooth<sup>®</sup> may operate at a lower version than hardware design depending on the factors such as operating system, driver, etc.

### Ports<sup>[1]</sup>

#### Standard Ports

- 1x USB-A (USB 5Gbps), Always On
- 2x Thunderbolt™ 4, with USB PD 45-65W and DisplayPort™ 2.1
- 1x HDMI<sup>®</sup> 1.4b
- 1x Headphone / microphone combo jack (3.5mm)
- 1x microSD card reader

Notes:

[1] The transfer speed of the ports will vary and, depending on many factors, such as the processing speed of the host device, file attributes and other factors related to system configuration and your operating environment, will be slower than theoretical speed.

## Docking

### Docking

Various docking solutions are supported via Thunderbolt™.

For more compatible docking solutions, please visit [Docking for Yoga® 7 2-in-1 16ILL10](#)

## SECURITY & PRIVACY

### Security

#### Security Chip

Firmware TPM 2.0 integrated in SoC

#### Fingerprint Reader

- Touch style fingerprint reader on palm rest
- No fingerprint reader

#### BIOS Security

- Administrator password
- Master hard disk password
- User hard disk password
- User password
- Self-healing BIOS
- More BIOS security features, please visit [BIOS Simulator](#)<sup>[1]</sup>

#### Other Security

- Camera privacy shutter
- IR camera for Windows® Hello (facial recognition)

---

Notes:

[1] The BIOS simulator is just for reference. Default settings and some options may vary depending on the hardware, operating system and BIOS version.

## SERVICE

### Warranty

#### Base Warranty\*\*

- 1-year courier or carry-in service
- 2-year (1-yr battery) courier or carry-in service
- 3-year (1-yr battery) courier or carry-in service

## ACCESSORIES

### Bundled Accessories

#### Bundled Accessories<sup>[1]</sup>

- Yoga® Slim Mouse (luna grey)
- None

---

Notes:

[1] For more compatible accessory solutions, please visit [Accessories for Yoga® 7 2-in-1 16ILL10](#).

## OPERATING REQUIREMENTS

### Operating Environment

#### Temperature<sup>[1]</sup>

- At altitudes up to 2438 m (8,000 ft)
  - Operating: 5°C to 35°C (41°F to 95°F)
  - Storage: 5°C to 43°C (41°F to 109°F)
- At altitudes above 2438 m (8,000 ft)
  - Maximum temperature when operating under the unpressurized condition: 31.3°C (88°F)

#### Relative Humidity

- Operating: 8% to 95% at wet-bulb temperature 23°C (73°F)
- Storage and transportation: 5% to 95% at wet-bulb temperature 27°C (81°F)

#### Altitude

Maximum altitude (without pressurization): 3048 m (10,000 ft)

#### Notes:

[1] When you charge the battery, its temperature must be no lower than 10°C (50°F).

## ENVIRONMENTAL

### Sustainability

#### Material<sup>[1]</sup>

Plastic-free Package

100% FSC-certificated Paper used in Carton and Manual

#### Recycled Material

50% Recycled Aluminum alloy on D cover

90% PCC Recycled Plastic used in 65W Adapter Case

50% PCC Recycled Plastic used in Keyboard Keycap

30% PCC Recycled Plastic used in Battery Pack

#### Notes:

[1] PCC: Post Consumer Content, recycled materials from customers.

## CERTIFICATIONS

### Green Certifications<sup>[1]</sup>

#### Green Certifications<sup>[2]</sup>

- Carbon Neutral Certified
- ENERGY STAR® 8.0
- EPEAT™ Gold Registered<sup>[3]</sup>
- ErP Lot 6/26
- RoHS compliant

#### Notes:

[1] The items listed under the "Green Certifications" section may not only refer to certification but also registration or self-declaration. For ESG & regulatory compliance documents, please visit <https://compliance.lenovo.com>.

[2] EPEAT™ registration and ENERGY STAR® certification are optional and only available on the models with preloaded OS. Please visit [epeat.net](http://epeat.net) and [energystar.gov](http://energystar.gov) for more information.

[3] EPEAT™ is registered where applicable, please visit [epeat.net](http://epeat.net) for registration status by country.

### Other Certifications

#### Mil-Spec Test

MIL-STD-810H military test passed (21 test items)

#### Other Certifications

- (Optional) Intel® Evo™ Platform
- Models with 2.8K OLED panel:
  - TÜV Rheinland® Low Blue Light (Hardware Solution)
- Models with WUXGA IPS panel:
  - TÜV Rheinland® Low Blue Light (Software Solution)

- Feature with \*\* means that only one option listed under the feature can be configured on selected models.

Please refer to the model configuration for specific information.

- Lenovo reserves the right to change specifications or other product information without notice. Lenovo is not responsible for photographic or typographical errors. LENOVO PROVIDES THIS PUBLICATION "AS IS", WITHOUT WARRANTY OF ANY KIND, EITHER EXPRESS OR IMPLIED, INCLUDING THE IMPLIED WARRANTIES OF MERCHANTABILITY OR FITNESS FOR A PARTICULAR PURPOSE. Some jurisdictions do not allow disclaimer of express or implied warranties in certain transactions, therefore this disclaimer may not apply to you.
- The specifications on this page may not be available in all regions, and may be changed or updated without notice.

