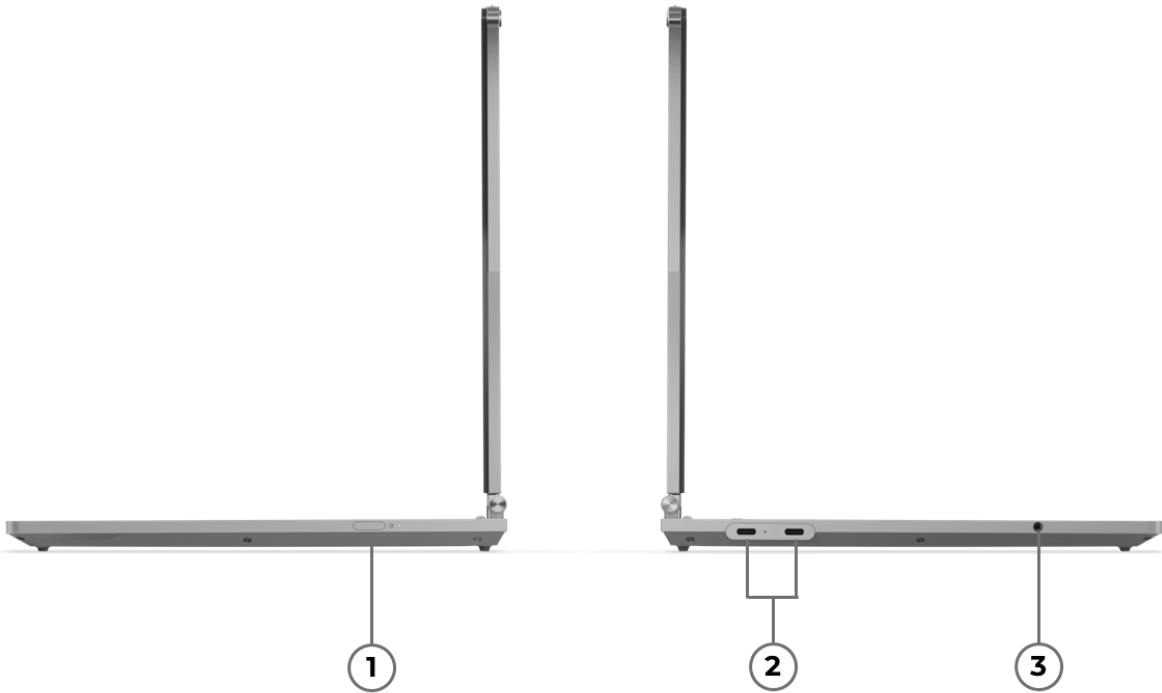


OVERVIEW



1. Power button (with fingerprint reader)	3. Headphone / microphone combo jack (3.5mm)
2. 2x Thunderbolt 4	

PERFORMANCE

Processor

Processor Family

Intel® V Series Core Ultra 7 Processor (Series 2)

Processor

Processor Name	Cores	Threads	Base Frequency	Max Frequency	Cache	Processor Graphics	NPU	Overall TOPS
Core Ultra 7 258V	8 (4 P-core + 4 LP E-core)	8	P-core 2.2GHz / LP E-core 2.2GHz	P-core 4.8GHz / LP E-core 3.7GHz	12MB Intel® Smart Cache	Intel® Arc™ Graphics 140V, up to 64 TOPS	Intel® AI Boost, up to 47 TOPS	Up to 115 TOPS

AI (Artificial Intelligence)

AI PC Category

Copilot+ PC^[1]

NPU

Integrated Intel® AI Boost, up to 47 TOPS

Notes:

[1] Copilot+ PCs have at least 16GB RAM, 256GB storage, and a NPU that runs 40+ TOPs to run the latest AI tools build-in latest Windows® 11 to accelerate productivity and creativity.

Operating System

Operating System**

- Windows® 11 Pro
- Windows® 11 Home
- Windows® 11 Home Single Language

Graphics

Graphics

Graphics	Type	Memory	Key Features
Intel® Arc™ Graphics 140V	Integrated	Shared	DirectX® 12.2

Monitor Support

Monitor Support

Supports up to 3 independent displays (native display and 2 external monitors via Thunderbolt™)

- Thunderbolt™ supports up to 7680x4320@60Hz^[1]

Notes:

[1] 8K resolution support needs 2 display pipes. That is, simultaneous display number will “-1” when 8K resolution displayed.

Chipset

Chipset

Intel® SoC (System on Chip) platform

Memory

Max Memory

32GB soldered memory, not upgradable

Memory Slots

Memory soldered to systemboard, no slots, dual-channel

Memory Type

LPDDR5X-8533, MoP (Memory on Package) memory

Storage

Max Storage Support^[1]

One drive, up to 1TB M.2 2242 SSD

Storage Slot^[2]

One M.2 2242 PCIe® 4.0 x4 slot

Storage Type

Disk Type	Interface	Offering
M.2 2242 SSD	PCIe® NVMe®, PCIe® 4.0 x4	1TB

Notes:

[1] The storage capacity supported is based on the test results with current Lenovo® storage offerings.

[2] The actual data transfer rate of the following PCIe® interface also depends on the capabilities of the connected PCIe® device. The listed values represent theoretical maximums.

PCIe® 3.0 (x2 / x4): 2 GB/s (16 Gbps) / 4 GB/s (32 Gbps);

PCIe® 4.0 (x2 / x4): 4 GB/s (32 Gbps) / 8 GB/s (64 Gbps);

PCIe® 5.0 (x2 / x4): 8 GB/s (64 Gbps) / 16 GB/s (128 Gbps).

Removable Storage

Card Reader

No card reader

Multi-Media

Audio Chip

High Definition (HD) Audio, Realtek® ALC3306-CG codec

Speakers

Stereo speakers, 2W x2, Dolby Atmos®, sound by harman/kardon, Smart AMP

Microphone

Dual-microphone array, Elevoc Voice

Camera

5.0MP + IR discrete, with E-shutter, ToF sensor, fixed focus

Sensor

Sensors

- Ambient light sensor (ALS)
- Color sensor
- Gyroscope sensor
- ToF sensor

Battery

Battery

66Wh Rechargeable Li-ion Battery, supports Rapid Charge (charge up to 80% in 1hr)^[1]

Max Battery Life^[2]

MobileMark® 30@250nits: 11.7 hr

Local video (1080p) playback@150nits: 14.9 hr

Notes:

[1] Rapid charge is only guaranteed when the computer is turned off or in standby mode or in hibernation mode. When the computer is powered on, the Charge Time will vary depending on system power consumption and AC adapter power.

[2] All battery life claims are approximate maximum and based on results using the MobileMark® 2014, MobileMark® 2018, MobileMark® 25, MobileMark® 30, JEITA 2.0, JEITA 3.0, continuous 1080p video playback (with 150nits brightness and default volume level) or Google Power Load Test (PLT) battery-life benchmark tests. Actual battery life will vary depending on many factors such as product configuration and usage, software use, wireless functionality, power management settings, and screen brightness. The maximum capacity of the battery will decrease with time and use.

Power Adapter

Power Adapter^[1]

- 65W USB-C® nano GaN (2-pin, wall-mount) AC adapter, supports PD 3.0, 100-240V, 50-60Hz
- No power adapter

Notes:

[1] AC adapter offerings depend on the country.

DESIGN**Display****Display**

Size	Resolution	Touch	Type	Brightness	Surface	Aspect Ratio	Contrast Ratio	Color Gamut	Refresh Rate	Viewing Angle (L/R/U/D)	Key Features
Roll in: 14" 14" Roll out: 16.7" 16.7"	14" (2000x1600) 16.7" (2000x2350)	Non-touch	POLED ^[1]	400nits	Glossy	Roll in: 5:4 Roll out: 8:9	100,000:1	100% DCI-P3	10-120Hz VRR	85° / 85° / 85° / 85°	Rolling up and down display, Dolby Vision®

Touchscreen

Non-touch

Notes:

[1] Flexible Plastic OLED

Input Device**Pen**

No support

Keyboard

6-row, spill-resistant, edge-to-edge, multimedia Fn keys, key travel 1.0mm, Copilot key

Keyboard Backlight

Smart keyboard backlight

Touchpad

Buttonless glass surface multi-touch Haptic Touchpad, supports Precision TouchPad (PTP), 75 x 120 mm (2.95 x 4.72 inches)

Mechanical**Dimensions (WxDxH)^[1]**

303.5 x 230.6 x 19.9 mm (11.95 x 9.08 x 0.78 inches)

Weight^[2]

Starting at 1.69 kg (3.72 lbs)

Case Color

Luna grey, dual-tone design

Case Material

Aluminium (top), aluminium (bottom)

Surface Treatment

Aluminium CNC (anodized)

Notes:

[1] The system dimensions may vary depending on configurations.

[2] The system weight is approximate and based on results in Lenovo® lab, which varies depending on the source of component, variance of the distribution of each component, and manufacturing process. It may not be the exact weight for each specific model.

CONNECTIVITY

Network

WLAN + Bluetooth^[1]

Wi-Fi® 7, 802.11be 2x2 Wi-Fi® + Bluetooth® 5.4

WWAN

No support

Ethernet

No onboard Ethernet

Notes:

[1] Wi-Fi® operation (including Wi-Fi® 6, Wi-Fi® 6E, Wi-Fi® 7, etc.) is subject to the regulatory requirements of each country. Bluetooth® may operate at a lower version than hardware design depending on the factors such as operating system, driver, etc.

Ports^[1]

Standard Ports

- 2x USB-C® (Thunderbolt™ 4 / USB4® 40Gbps), with USB PD 45-65W and DisplayPort™ 2.1
- 1x Headphone / microphone combo jack (3.5mm)

Notes:

[1] The transfer speed of the ports will vary and, depending on many factors, such as the processing speed of the host device, file attributes and other factors related to system configuration and your operating environment, will be slower than theoretical speed.

Docking

Docking

Various docking solutions supported via Thunderbolt™ / USB-C®.

For more compatible docking solutions, please visit [Docking for ThinkBook® Plus G6 Rollable](#)

SECURITY & PRIVACY

Security

Security Chip

Discrete TPM 2.0, TCG certified, FIPS 140-3 certified

Fingerprint Reader

Touch style fingerprint reader on side power button, match-on-chip

BIOS Security

- Hard disk password
- Power-on password
- Supervisor password
- User password
- Self-healing BIOS
- More BIOS security features, please visit [BIOS Simulator](#)

Other Security

- E-shutter
- IR camera for Windows® Hello (facial recognition)

SERVICE

Warranty

Base Warranty**

- 1-year courier or carry-in service
- 2-year (1-yr battery) courier or carry-in service

ACCESSORIES

Bundled Accessories

Bundled Accessories^[1]

None

Notes:

[1] For more compatible accessory solutions, please visit [Accessories for ThinkBook® Plus G6 Rollable](#).

OPERATING REQUIREMENTS

Operating Environment

Temperature^[1]

- At altitudes up to 2438 m (8,000 ft)
 - Operating: 5°C to 35°C (41°F to 95°F)
 - Storage: 5°C to 43°C (41°F to 109°F)
- At altitudes above 2438 m (8,000 ft)
 - Maximum temperature when operating under the unpressurized condition: 31.3°C (88°F)

Relative Humidity

- Operating: 8% to 95% at wet-bulb temperature 23°C (73°F)
- Storage: 5% to 95% at wet-bulb temperature 27°C (81°F)

Altitude

Maximum altitude (without pressurization): 3048 m (10,000 ft)

Notes:

[1] When you charge the battery, its temperature must be no lower than 10°C (50°F).

ENVIRONMENTAL

Sustainability

Material^[1]

50% recycled aluminum on bottom cover
30% PCC recycled plastic used in the battery pack enclosure
30% PCC recycled plastic used in speaker enclosure
90% PCC recycled plastic used in nano GaN 65W adapter
FSC certified content in carto, accessory box and paper cushion
Bamboo box and paper bag

Notes:

[1] PCC: Post Consumer Content, recycled materials from customers.

CERTIFICATIONS

Green Certifications^[1]

Green Certifications

- ErP Lot 6/26
- RoHS compliant

Notes:

[1] The items listed under the "Green Certifications" section may not only refer to certification but also registration or self-declaration. For ESG & regulatory compliance documents, please visit <https://compliance.lenovo.com>.

Other Certifications

Mil-Spec Test

MIL-STD-810H military test passed

- Feature with ** means that only one option listed under the feature can be configured on selected models. Please refer to the model configuration for specific information.
- Lenovo reserves the right to change specifications or other product information without notice. Lenovo is not responsible for photographic or typographical errors. LENOVO PROVIDES THIS PUBLICATION "AS IS", WITHOUT WARRANTY OF ANY KIND, EITHER EXPRESS OR IMPLIED, INCLUDING THE IMPLIED WARRANTIES OF MERCHANTABILITY OR FITNESS FOR A PARTICULAR PURPOSE. Some jurisdictions do not allow disclaimer of express or implied warranties in certain transactions, therefore this disclaimer may not apply to you.
- The specifications on this page may not be available in all regions, and may be changed or updated without notice.



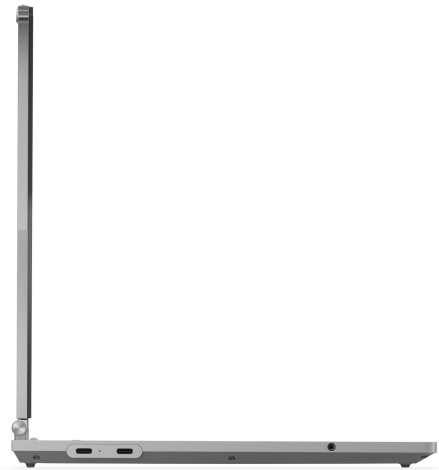
intel



intel



intel



intel



intel



intel