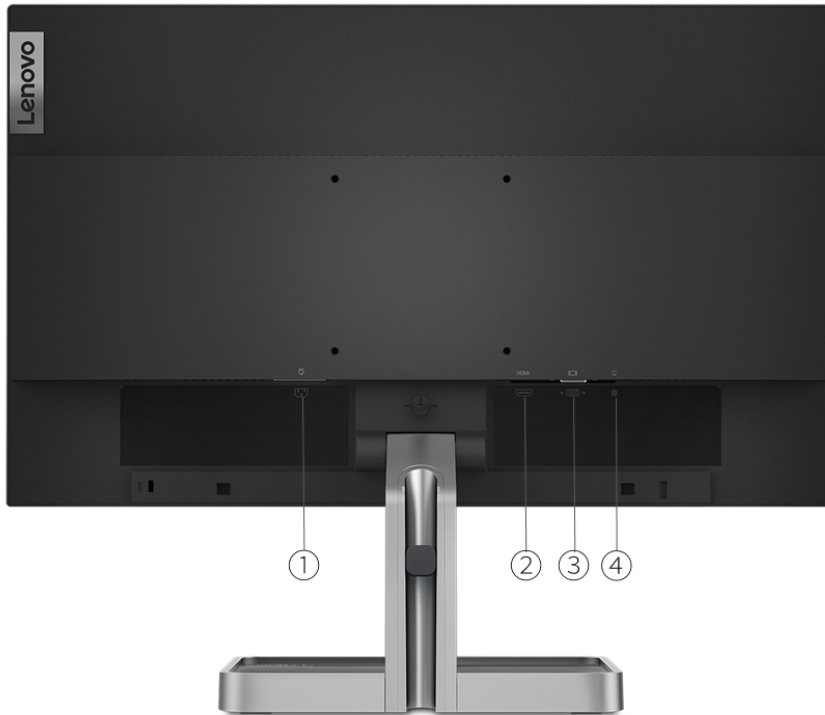


OVERVIEW



1. Power connector	3. VGA
2. HDMI	4. Audio-out (3.5mm)

PERFORMANCE

Panel

Panel

3-side NearEdgeless, In-Plane Switching

Backlight

WLED

Display Size

21.5 inches

Max View Area

WxH: 476.06 x 267.79 mm

Resolution

1920 x 1080

Aspect Ratio

16:9

Pixel Pitch

0.248 x 0.248 mm

Dot / Pixel Per Inch

102 dpi

Brightness

250 nits

Contrast Ratio

- Contrast Ratio: 1000:1
- Dynamic Contrast Ratio: 3M:1

View Angle (H / V)

Horizontal: 178°, Vertical: 178°

Response Time

- Extreme Mode: 4 ms
- Normal Mode: 6 ms

Refresh Rate

75Hz (HDMI® only)

Color Gamut

72% NTSC

Color Support

16.7 Million

Screen Surface Treatment

Anti-glare

Operating System

Operating System

- Windows® 7 Support
- Windows 10 Support

Multi-Media

Speakers

Optional soundbar support

Power Supply

Power Consumption

- Typical / Max: 15W / 19W
- Sleep / Off mode: <0.3W
- Switch-off Mode: <0.3W
- Energy Star Power On: 15W

- Energy Star TEC: 43kWh
- Internal Power Supply

Voltage Required

AC 100 to 240 V (47-63Hz)

Special Features**Special Features**

- Lenovo® Artery (Lenovo Display Control Center) Support
Lenovo Artery can only be used with Windows 10
- AMD FreeSync™
AMD FreeSync technology only can work with AMD Radeon™ series graphics card.

DESIGN**Mechanical****ThinkCentre® M Series Support**

ThinkCentre M Series Tiny, ThinkCentre M Series Nano

For supporting Tiny / Nano devices, additional Tiny / Nano VESA Mount Kits (PN: 4XFON03161) / (PN: 4XFOV81630) are needed (sold separately).

Bezel Width

Side: 2mm

Cable Management

Support

Case Color

Raven black

Dimensions (WxDxH)^[1]

Models	Dimensions
Lowest Position	489.3 x 165.0 x 404.1 mm (19.26 x 6.49 x 15.91 inches)
Highest Position	489.3 x 165.0 x 404.1 mm (19.26 x 6.49 x 15.91 inches)
Unpacked Head Only	45.5 x 296.8 x 489.3 mm (1.79 x 11.69 x 19.26 inches)

Packaging Dimensions (WxDxH)

587 x 140 x 352 mm (23.11 x 5.51 x 13.86 inches)

Weight^[2]

Models	Weight
Monitor With Stand	3.06 kg (6.75 lbs)
Monitor Head Only	2.39 kg (5.27 lbs)

Packaging Weight

4.62 kg (10.19 lbs)

Mounting

Supports VESA mount 100mm

Stand

Supports -5° to +22° tilt

In the Box

- Monitor with Stand
- 1x Power cable (1.8m)
- 1x HDMI cable (1.8m)
- Quick Setup Guide

Notes:^[1] The system dimensions may vary depending on configurations.^[2] The system weight is approximate and based on results in Lenovo lab, which varies depending on the source of component, variance of the distribution of each component, and manufacturing process. It may not be the exact weight

for each specific model.

CONNECTIVITY

Ports

Rear Ports

- 1x HDMI 1.4
- 1x VGA
- 1x audio-out (3.5mm)

SECURITY & PRIVACY

Security

Physical Locks

Kensington® Security Slot™

SERVICE

Warranty

Base Warranty

- 1-year courier or carry-in service
- 3-year limited warranty

CERTIFICATIONS

Green Certifications^[1]

Green Certifications

- ENERGY STAR® Certified
- EPEAT™ Gold Registered^[2]
- TCO Certified 8.0
- TCO edge 2.0
- RoHS compliant

Notes:

[1] The items listed under the "Green Certifications" section may not only refer to certification but also registration or self-declaration.

[2] EPEAT is registered where applicable, please see <https://www.epeat.net> for registration status by country.

Other Certifications

Other Certifications

- TÜV Rheinland® Flicker Free
- TÜV Rheinland Low Blue Light

- Lenovo reserves the right to change specifications or other product information without notice. Lenovo is not responsible for photographic or typographical errors. LENOVO PROVIDES THIS PUBLICATION "AS IS," WITHOUT WARRANTY OF ANY KIND, EITHER EXPRESS OR IMPLIED, INCLUDING THE IMPLIED WARRANTIES OF MERCHANTABILITY OR FITNESS FOR A PARTICULAR PURPOSE. Some jurisdictions do not allow disclaimer of express or implied warranties in certain transactions, therefore this disclaimer may not apply to you.

- The specifications on this page may not be available in all regions, and may be changed or updated without notice.



